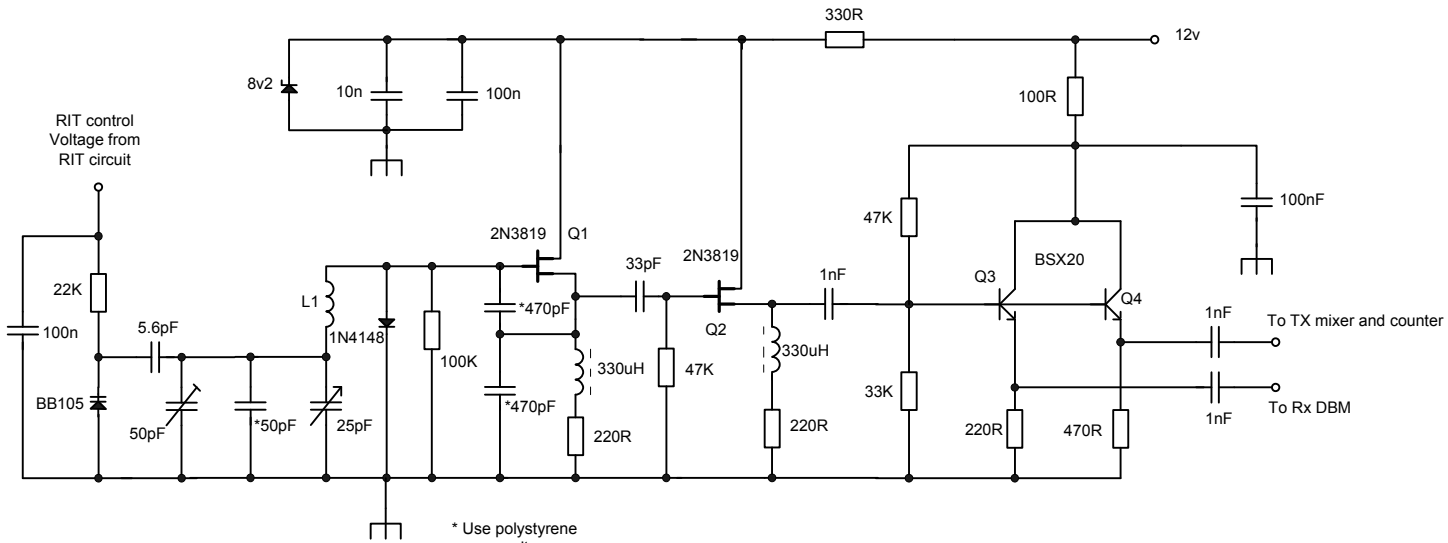


6 – 6.1 MHz VFO

MODGQ



* Use polystyrene capacitors

L1 = 34 turns 28SWG
Enamelled Cu
On 16mm ceramic former
- I used an old cartridge
Fuse

To TX mixer and counter
To Rx DBM